

# RONIN-S

Quick Start Guide

快速入门指南

快速入門指南

クイックスタートガイド

퀵 스타트 가이드

Kurzanleitung

Guía de inicio rápido

Guide de démarrage rapide

Guida rapida

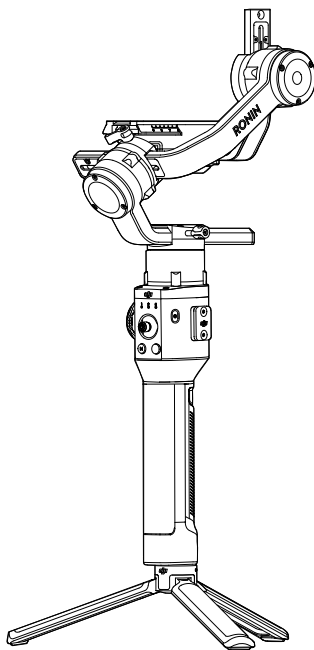
Snelstartgids

Guia de início rápido

Guia de início rápido

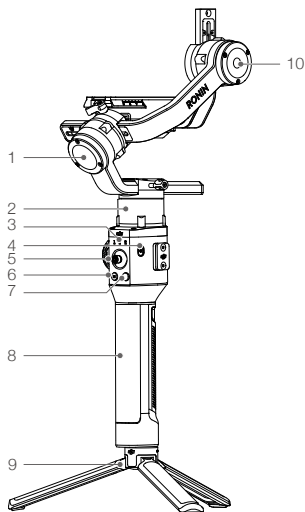
Краткое руководство пользователя

V1.2

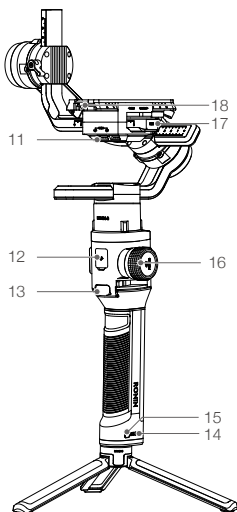


## Ronin-S Overview

EN



1. Roll Motor
2. Pan Motor
3. Profile LED Indicators
4. Power Button
5. Joystick
6. M Button
7. Camera Control Button
8. Grip
9. Extended Grip/Tripod



10. Tilt Motor
11. 12V/2A Accessory Power Port
12. USB-C Port
13. Trigger
14. Battery Level Indicators
15. Grip Power Button
16. Focus Wheel
17. Camera Control Port (RSS Port)
18. Camera Mounting Plate

## Getting Started

A. Download the DJI RONIN™ mobile app and watch the tutorials.

Search for “Ronin” in the App Store or Google Play and follow the instructions to install the app. Watch the tutorials on the official DJI website.

<https://www.dji.com/ronin-s>



Ronin App

B. Charge the battery.

Charge the grip using the USB power adapter and USB-C cable provided by connecting to the USB-C port on the gimbal. Press the grip power button once to turn on the grip, and then press and hold the gimbal power button to turn on the gimbal.

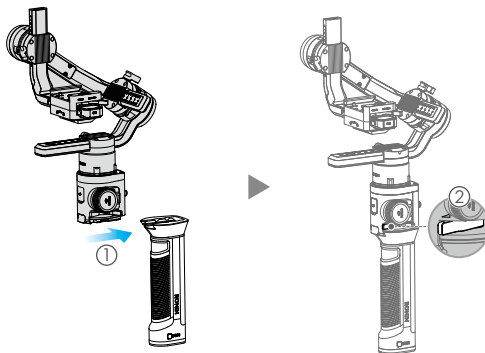
Press and hold the gimbal power button to turn off the gimbal. Press once then again and hold to turn off the grip. (The grip automatically powers off if it is not connected to the gimbal or the gimbal is not powered on for 12 hours.)

Charging Time: approx. 2 hours 15 minutes



## Mounting the Grip

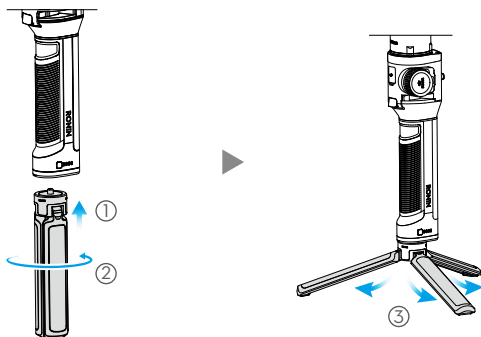
Attach the gimbal to the grip by sliding it into the dovetail mount. Toggle the lever to the locked position.



- The Ronin-S's power/data ports and connectors are not waterproof. Ensure to protect them from harmful dust and water during use to avoid damage.

## Attaching the Extended Grip

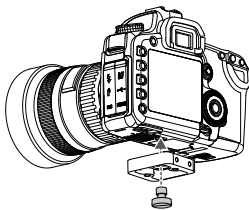
To attach the provided extended grip to the gimbal, toggle the safety lock to the locked position, and expand as shown.



## Mounting the Camera

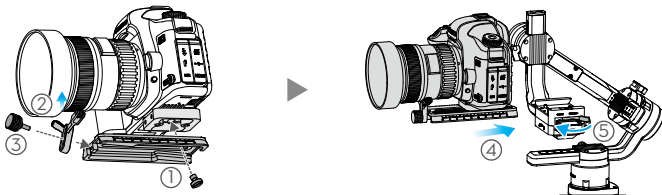
Before mounting the camera, make sure it is prepared ahead of time. Remove the lens cap and make sure the camera's battery and memory card are already inserted.

1. Attach the riser plate\* to the bottom of the camera using a flathead screwdriver or coin.

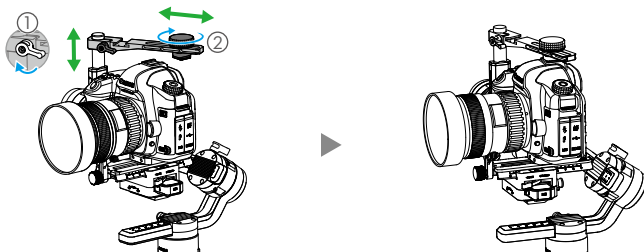


\* Mount the riser plate if needed.

2. Attach the camera dovetail plate and lens support\*.
3. Slide the camera onto the camera mounting base. When a rough back and forth balance is reached, toggle the lever to the locked position after the safety lock is engaged.



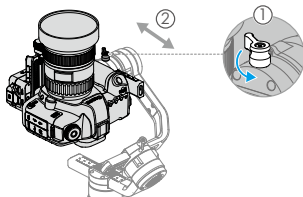
4. It is recommended to mount the camera using the Top Hotshoe Bracket when mounting the gimbal on a car or shooting in environments when traveling at high speeds where wind forces can affect the gimbal stability. The Top Hotshoe Bracket is sold separately. The installation is shown below.



## Balancing

### 1. Balancing the Vertical Tilt

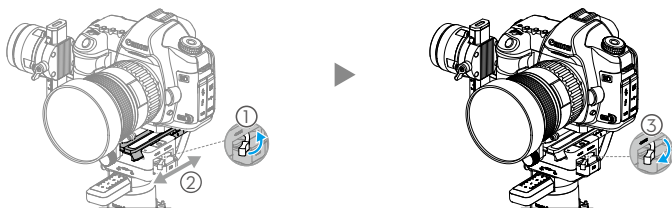
- a. Rotate the tilt axis so that the camera lens is pointing up. Hold the tilt axis motor to ensure the roll axis remains horizontal and check if the camera is top or bottom heavy.
- b. Loosen the knob ① on the tilt motor and adjust the camera balance ② until the camera stays still without tilting it up or down.
- c. Tighten the knob.



\* For the best results during setup, use the lens support whenever possible.

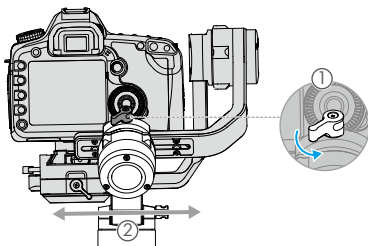
## 2. Balancing Depth for the Tilt Axis

- Rotate the tilt axis so that the camera lens is pointing forward. Hold the tilt motor to check if the camera is top or bottom heavy.
- Toggle the lever ① to the unlocked position. Adjust the camera balance ② until the camera stays still when rotating the tilt axis 45° upwards or downwards.
- Toggle the lever ③ to the locked position.



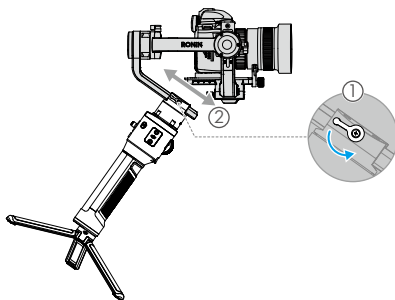
## 3. Balancing the Roll Axis

- Release the tilt motor to check the direction in which the motor swings.
- Loosen the roll axis knob ① and adjust the camera balance ② until the camera stays still. If the adjustment on this axis is too stiff, you can try to relieve the weight on the roll motor by either lifting up on the camera platform while making an adjustment or tilt the gimbal back a little until the roll arm is parallel with ground.
- Tighten the knob.



#### 4. Balancing the Pan Axis

- Grab the grip, tilt Ronin-S sideways, and check for movement along the pan axis.
- Loosen the knob ① on the pan motor. Adjust the camera balance ② until the camera stays still when rotating the pan axis 45° while lifting the grip.
- Tighten the knob.



## Activating Ronin-S

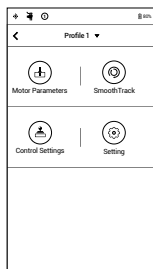
Make sure the camera is balanced before powering on Ronin-S. Do not turn on Ronin-S without a balanced load, as doing so may damage the gimbal motors.

- Press the power button once to turn on the grip, and then press and hold the gimbal power button to turn on the gimbal.
- Enable Bluetooth on your mobile device and launch the Ronin app. Select Ronin-S and input the default Bluetooth password 12345678 once it's detected.
- Make sure you are connected to the internet and follow the on-screen instructions to activate Ronin-S for the first time.
- After activation, double tap the gimbal power button to engage the motors before proceeding.



## Operation

1. Auto Tune: Launch the Ronin app, go to the Motor page, and select Auto Tune. Alternatively, you can press and hold Ronin-S' M button and trigger simultaneously for four seconds to start Auto Tune. Stiffness can be adjusted manually. Strength, Filter, and Control are advanced settings and should only be adjusted if properly understood.
2. Go to the SmoothTrack page to adjust the Speed, Deadband, and Acceleration values for the pan, tilt, and roll axes. There are 3 profiles by default – slow, medium, and high speed – that you can select by tapping the M button, giving you the most appropriate setting for your shooting scenario. Tap and hold the M button to enter Sport mode.
3. Go to the Control Settings page to adjust the parameters for the pan, tilt and, roll axes. The joystick is already set to default: push the joystick up or down to control the movement of the tilt axis, and push it left or right to control the movement of the pan axis.
4. The camera control button accesses different functions, depending on camera model (a camera control cable connection is required):
  - a. Press halfway to auto focus, as you would for the shutter button on most DSLR cameras.
  - b. Press once to start/stop recording. Press and hold to take a photo. Please refer to Ronin-S product page ([www.dji.com/ronin-s](http://www.dji.com/ronin-s)) for most updated Camera Compatibility List.
5. Trigger: Press and hold the trigger to enter Lock mode. Press twice to recenter the gimbal. Press three times to turn the gimbal 180° so that the camera faces you.
6. Focus Wheel: Rotate the focus wheel to control focus for supported camera models. Please refer to the user manual for details.



## Specifications

Weight	Approx. 3.3 lb (gimbal only) Approx. 4.1 lb (gimbal and grip included)
Dimensions	Approx. 202×185×486 mm
Input Power	Model: RB1-2400mAh-14.4V Type: 18650 LiPo Capacity: 2400 mAh Energy: 34.56 Wh
Working Current	Static Current: 0.16 A
Bluetooth Operating Frequency	2.4 to 2.48 GHz
Bluetooth Transmitter Power	0 dBm
Operating Temperature	-4° to 113° F (-20° to 45° C)

For more information, read the User Manual:

<http://www.dji.com/ronin-s>

※ This content is subject to change without prior notice.